

Fiber Optic Mini Fanouts

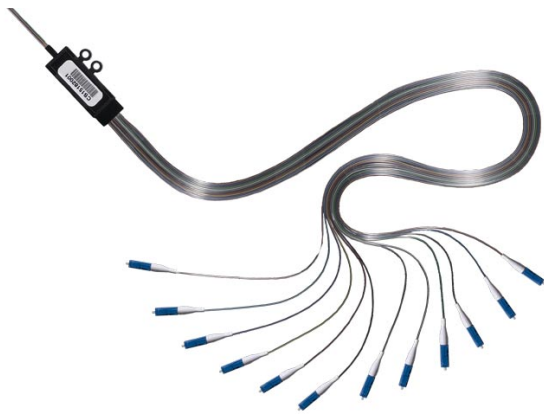
Quickly and Easily Facilitates the Transition of Cable Ribbon

Product Description

Fanouts are used provide a fast and easy transition from single-mode or multimode cable ribbon to twelve individual fiber connection ports.

Mini fanouts consist of a 72-inch (182.8 cm) long ribbon, a transition assembly, and 12 individual fibers attached to a variety of fiber optic cable connectors in either 24- or 48-inch (61 or 121.9 cm) lengths. Used in fiber distribution shelves and interconnect units, the individual fibers of this fanout are strengthened with a special buffer for added protection.

Mini fanouts eliminate tedious individual fiber splicing and connectorization. The need for special tools and associated apparatus, and the need for testing at distribution points is also reduced - saving time and money.



The LC Mini Fanout

Applications

Mini fanouts provide an easy transition from single-mode or multimode cable ribbon to twelve individual fiber connection ports in:

- Central offices
- Private network distribution
- Local area networks.

Features

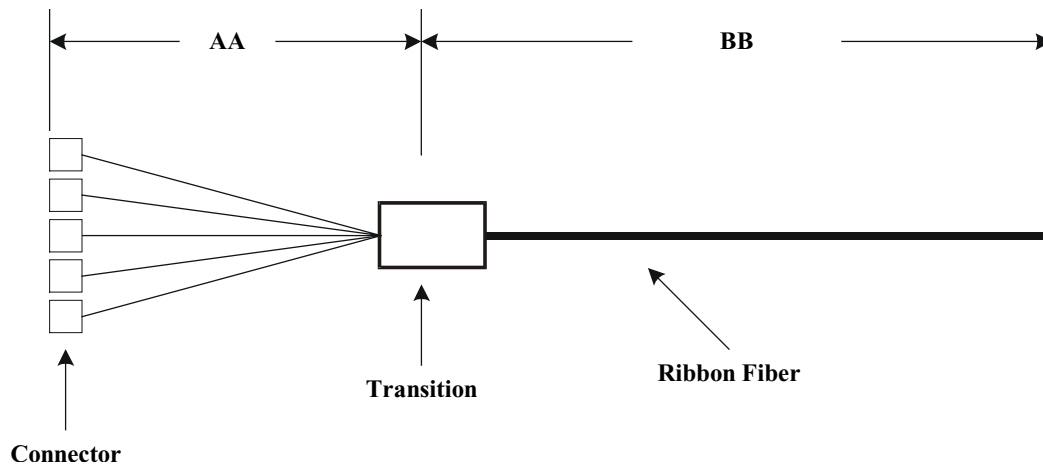
- Factory connectorized, pre-tested, and ready to use
- No need for special tools and associated apparatus
- Can be deployed immediately.



The SC Mini Fanout

Benefits

- Provides our customers with application flexibility
- Saves time and money since only one splice is required for twelve connections
- Utilizes high quality connectors and terminations.



12 Fiber Ribbon Fanout

Ordering Information

Comcode	Connector Type	Fiber Type	Length from Transition to Connector End (AA - inches)	Length from Transition to Ribbon End (BB - inches)
107 977 019	LC	MM	24 ± 3	72 - 78
108 518 754	LC	SM	24 ± 3	72 - 78
107 810 541	SC	SM	24 ± 3	72 - 78
106 744 147	SC	SM	48	72 - 78
108 905 647	ST	MM	24 ± 3	72 - 78
108 370 065	SC	MM	24 ± 3	72 - 78
109 030 445	SCA	SM	24 ± 3	72 - 78
107 939 910	ST (P3020)	SM	24 ± 3	72 - 78

Value Statement

Mini fanouts provide a fast and easy transition from single-mode or multimode cable ribbon to 12 individual fiber connection ports. The factory connectorized and pretested fanouts can be deployed quickly and effortlessly in central offices, premises distribution systems, and local area networks.

For additional information please contact your sales representative. You can also visit our website at <http://www.ofsoptics.com> or call 1-888-fiberhelp.

You can also visit the Optical Connectivity website at <http://ocdstore.ofsoptics.com>

Copyright © 2002 Fitel USA Corp. All rights reserved, printed in USA.

LGX and ST are registered trademarks of Fitel USA Corp.

OFS
Marketing Communications